



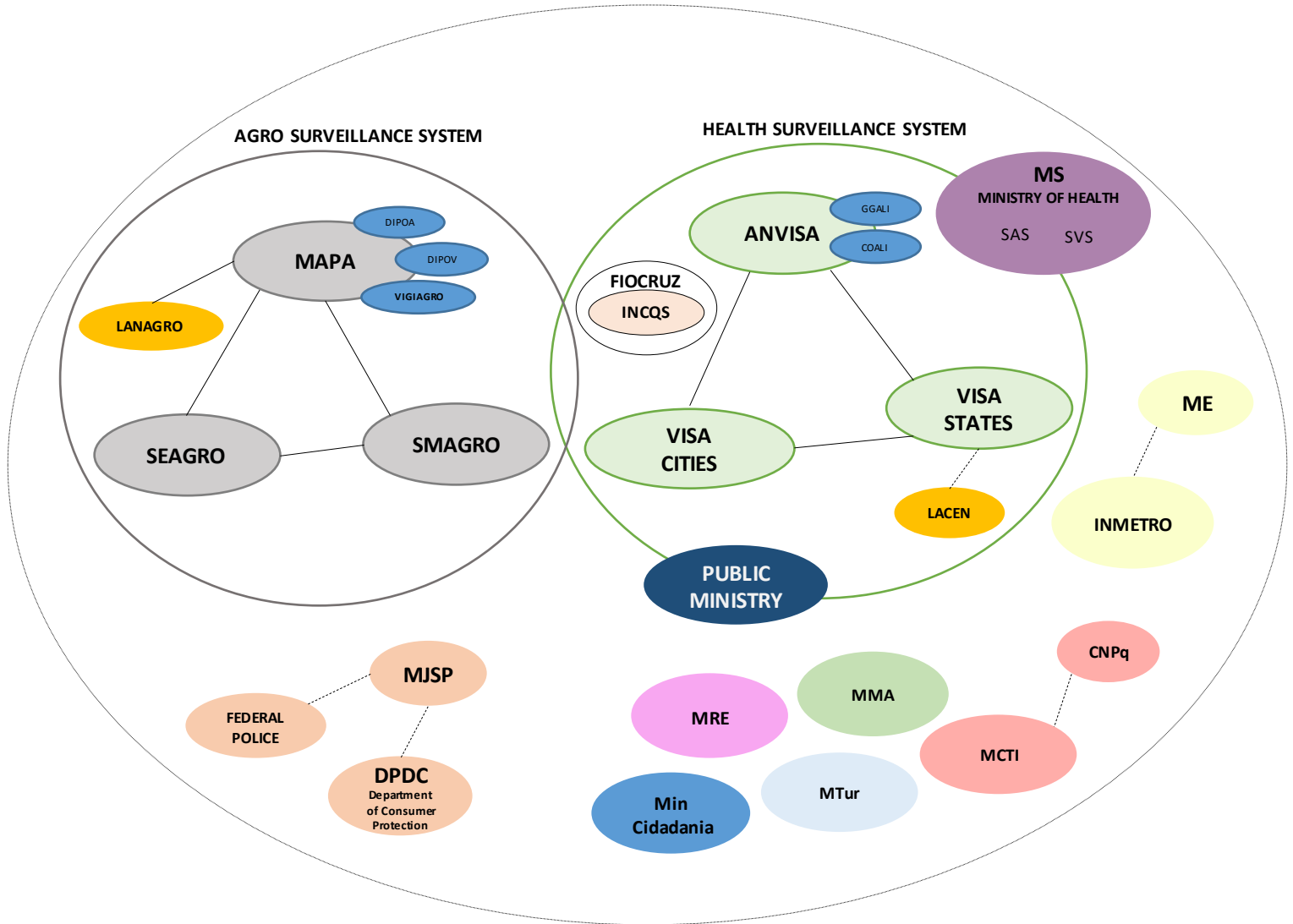
Codex Alimentarius Brazil: 42 years contributing to transparency and stakeholder engagement

André Luis de Sousa dos Santos, D.Sc.

Coordinator Brazilian Codex Alimentarius Committee
Deputy Head of International Affairs

November 15th, 2022

National Food Control System in Brazil



Brazilian Codex Alimentarius Committee

1963 – Establishment of Codex Alimentarius



1968 – Membership of Brazil

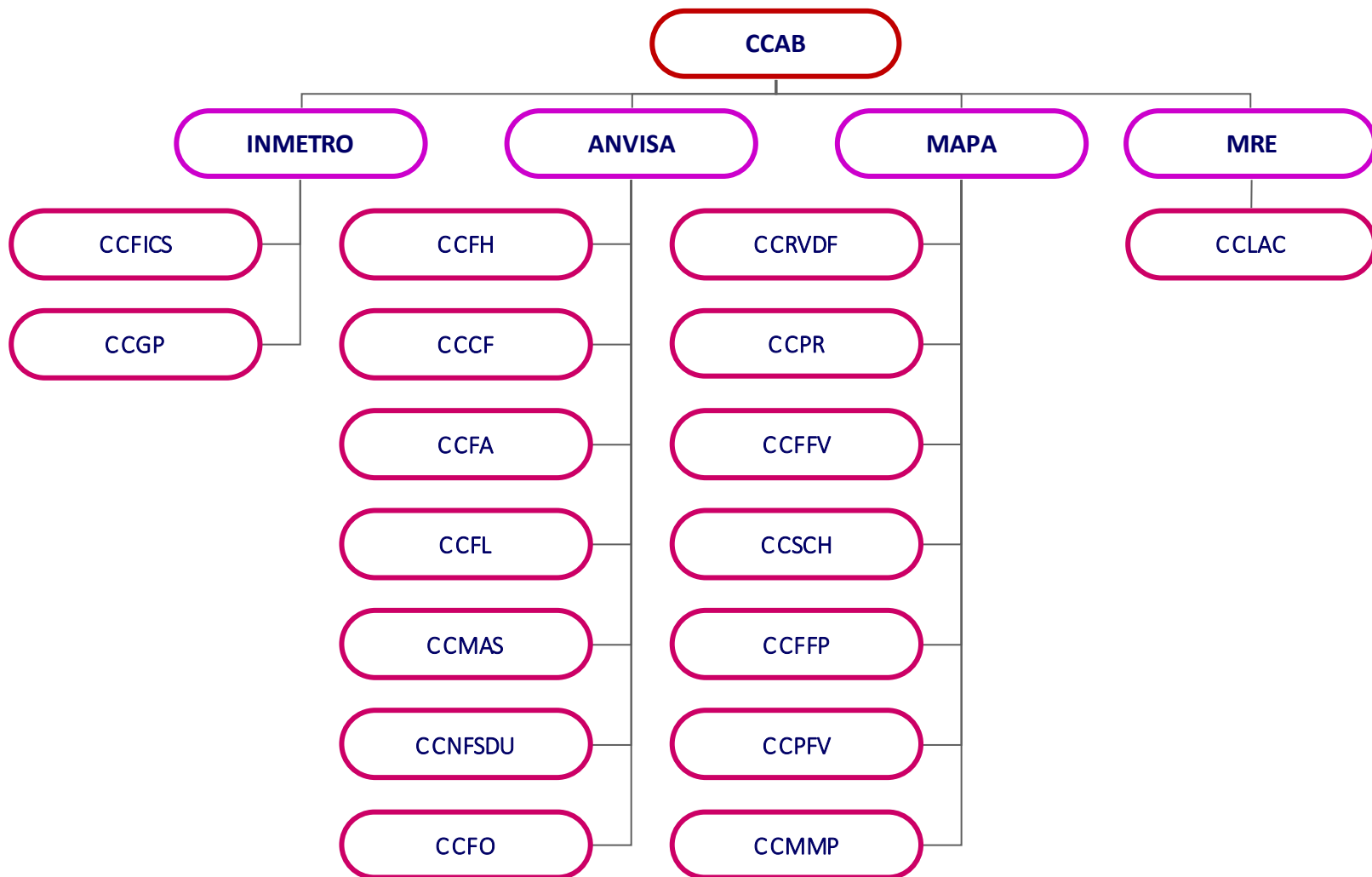


Without a formal
structure

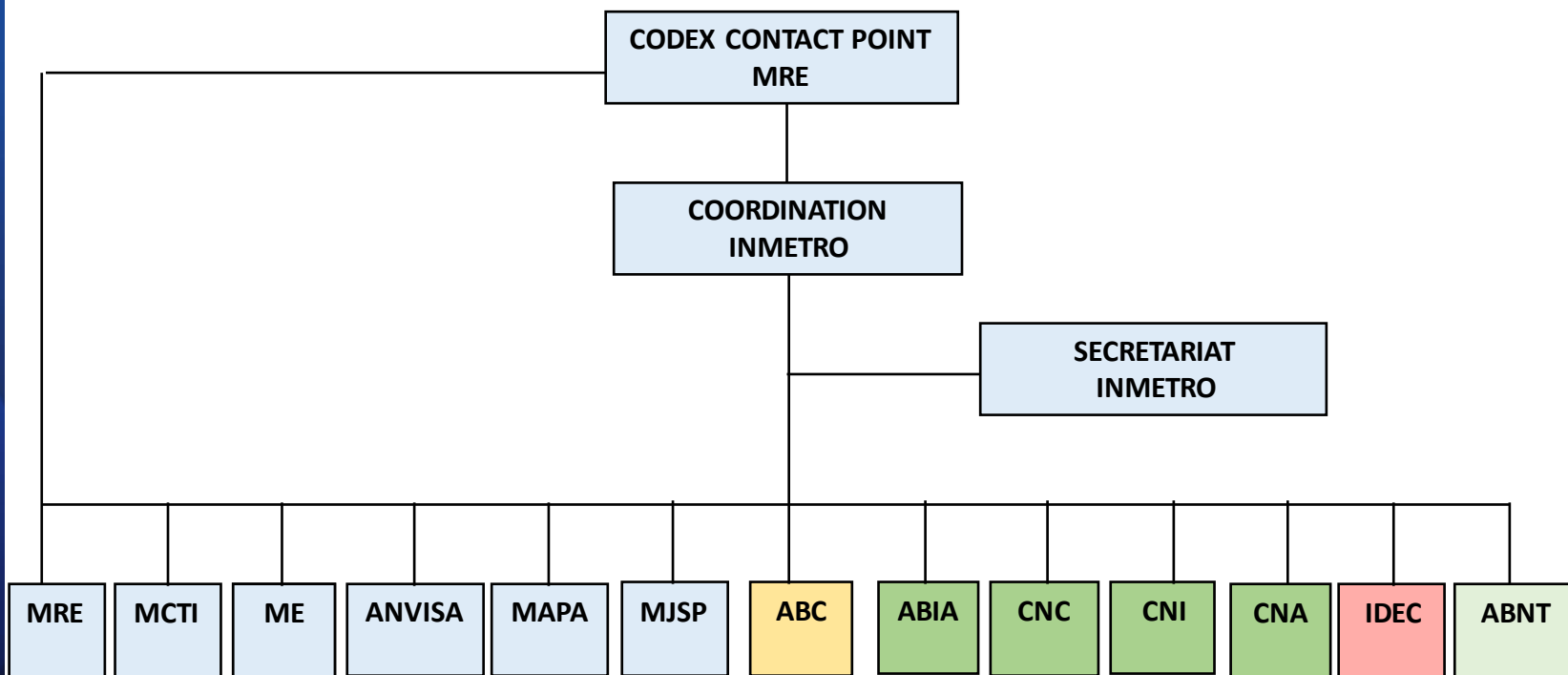


1980 – Brazilian Codex Alimentarius Committee

Brazilian Codex Alimentarius Committee



Brazilian Codex Alimentarius Committee



Challenges and perspectives



ACTION PLAN

Establishment of **National Positions**;

Ensure **communication** between subcommittees;

Stakeholders engagement (Academy and Consumer Protection);

Capacity building programs – for new professionals;

Attend **all** Codex meetings;

Active **participation** in the development of Codex standards;

Analyze all **Circular Letters**;

Submit **data** to JECFA and JMPR.

Covid-19 Pandemic

Ouvidoria: 0800 285 1818



inmetro.gov.br



[linkedin.com/company/inmetro](https://www.linkedin.com/company/inmetro)



[instagram.com/inmetro_oficial](https://www.instagram.com/inmetro_oficial)



[facebook.com/Inmetro](https://www.facebook.com/Inmetro)



[youtube.com/tvinmetro](https://www.youtube.com/tvinmetro)



twitter.com/Inmetro



[slideshare.net/inmetro](https://www.slideshare.net/inmetro)



[flickr.com/inmetro](https://www.flickr.com/inmetro)



INMETRO

**SECRETARIA ESPECIAL DE
PRODUTIVIDADE E COMPETITIVIDADE**

**MINISTÉRIO DA
ECONOMIA**

